

DW9714V

Upgraded Conventional AF Driver IC

Description

The DW9714V designed for linear control of Voice Coil Motors (VCM). This device is compatible with DW9714A. The DW9714V has a single 10-bit DAC with 120mA output current sink capability. This device features SAC™ mode which can minimize the mechanical vibration and achieve very fast mechanical settling time. The SAC™ is protected by patent and registered trademark of DONGWOON ANATECH.

The DW9714V operates from a single 2.3V to 4.3V supply. The internal DAC is controlled via an I²C serial interface that operates at clock rate up to 1MHz. The I²C address for the DW9714V is 0x18. The DW9714V offers PD mode with current consumption less than 1uA.

The DW9714V can be used for auto focus applications in mobile cameras, digital still cameras, camcorders, web cameras and action cameras.

Features

- 120mA output driver with 10-bit resolution DAC
- Smart Actuator Control (SAC™) modes
- Supply voltage (VDD): 2.3V to 4.3V
- I/O voltage (VIN): 1.8V to VDD
- Fast mode and Fast mode plus I²C interface compatible
- Power On Reset (POR)
- Power Down (PD) mode current consumption less than 1uA
- Package: 6-pin WLCSP (0.77mm x 1.14mm x 0.30mm)

Applications

- Mobile camera
- Digital still camera
- Camcorder
- Web camera
- Action camera

Typical Application Diagram

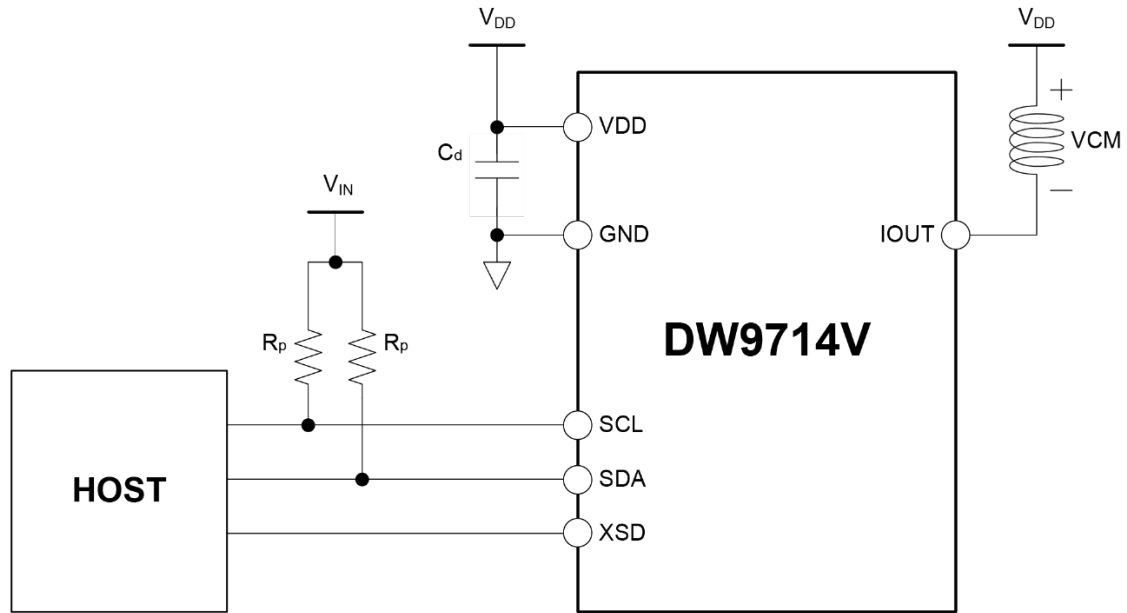


Figure 1. Typical Application Diagram

Important Notice

HMI reserves the rights to modify, update, improve, and discontinue its products, services, documentations and more without advance notice. We encourage customers to contact HMI's sales representative for the most up to date product information.

HMI's products, solutions, and documents must not be used for any medical or military purposes without a proper legal authorization from HMI. HMI disclaims any responsibilities and liabilities for personal or property damages arising from such applications.

All content, visuals, trademarks within this document, and any other intellectual property embedded in the product and document remains the sole property of HMI. Reproduction, alteration, distribution, or publication of any part or whole of this document is prohibited without legal consent from HMI.