

# HL5280

## USB Type-C Analog Audio Switch with Protection Function

### Description

HL5280 is a high-performance USB Type-C port multimedia switch which supports analog audio headsets. HL5280 allows the sharing of a common USB Type-C port to pass USB2.0 signal, analog audio, sideband use wires and analog microphone signal.

HL5280 also supports high voltage on SBU port and USB port on USB Type-C receptacle side. HL5280 is available in a 25-pin WLCSP package.

### Features

- Power Supply: VCC, 2.7V to 5.5V
- USB High Speed(480Mbps) Switch
  - -3dB Bandwidth: 900 MHz
  - 3.5Ω RON Typical
- Audio Switch
  - Negative Rail Capability: -3V to +3V
  - THD+N = -107 dB
  - 1 VRMS, f=20Hz~20kHz, 32Ω Load
  - 0.8Ω RON Typical
- High Voltage Protection
  - 20V DC Tolerance on Connector Side Pins
  - Over Voltage Protection: VTH=5V (Type)
- OMTP and CTIA Pinout Support
- Support Audio Sense Path
- 25-Bump WLCSP Package (2.00mmx2.00mm)

### Applications

- Smart Phone
- Tablet PC
- Notebook PC
- Media Player

### Typical Application Diagram

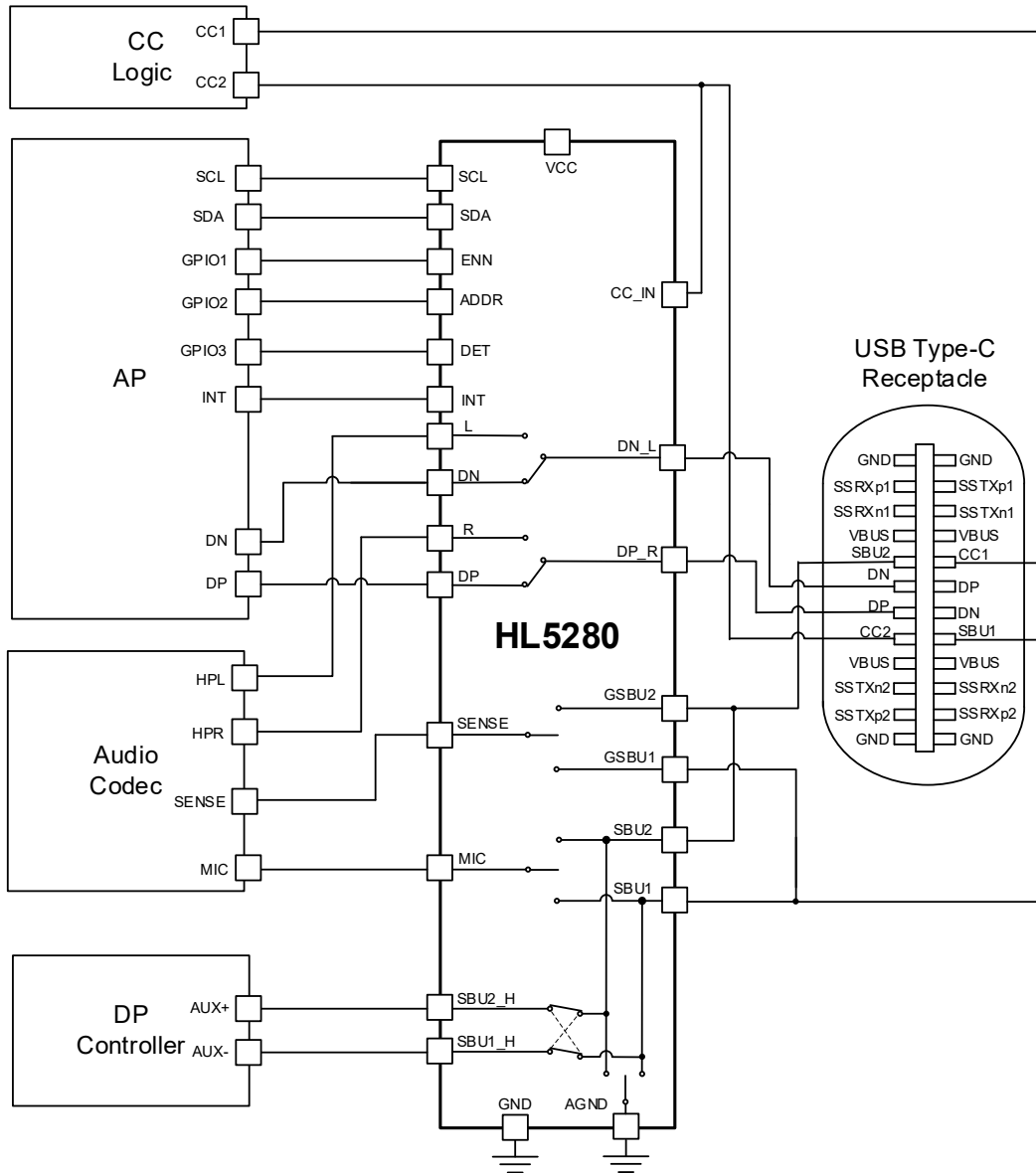


Figure 1. Typical Application Diagram

### Order Information

Part Number	Packing Method	Package
HL5280	Tape and Reel	WLCSP-25

## **Important Notice**

HMI reserves the rights to modify, update, improve, and discontinue its products, services, documentations and more without advance notice. We encourage customers to contact HMI's sales representative for the most up to date product information.

HMI's products, solutions, and documents must not be used for any medical or military purposes without a proper legal authorization from HMI. HMI disclaims any responsibilities and liabilities for personal or property damages arising from such applications.

All content, visuals, trademarks within this document, and any other intellectual property embedded in the product and document remains the sole property of HMI. Reproduction, alteration, distribution, or publication of any part or whole of this document is prohibited without legal consent from HMI.