

# HL7132D

## Dual-Phase 30W Charge Pump Charger with 1:2 Reverse Boost Mode

### Description

The HL7132D is the low voltage fast direct charger for 1 cell Li-ion and Li-polymer batteries. The device integrates a dual phase switched capacitive converter, a reverse blocking MOSFET (QRB FET) and shows 97.37% efficiency at 4.5V output and 4A current with flying capacitor, 1x22 $\mu$ F, per phase at f<sub>SW</sub>=1.1MHz.

The device features two different switching modes, 2:1 and 1:2 CP mode. The 2:1 CP mode allows the output voltage, V<sub>OUT</sub>, to be around half of the input voltage, V<sub>IN</sub>, and the output current to be double of the input current. In 1:2 CP mode, a voltage at V<sub>IN</sub> will be double of V<sub>OUT</sub> voltage.

The HL7132D provides CC (Constant Current) and CV (Constant Voltage) regulation through controlling the QRB FET for a safe charging operation in 2:1 CP mode. CC regulation is controlled through a close loop of the input current sensing or battery current sensing and CV regulation is controlled through a close loop

of the battery voltage sensing. In addition, HL7132D also supports thermal regulation loop in case CV/CC loop causing device over-heat during regulation operating in 2:1 CP mode.

The HL7132D has all the necessary protections to ensure the safe operation. The device includes OTP (Over-Temperature Protection), VIN UVP (Under-Voltage Protection) in 2:1 CP mode/OVP (Over-Voltage Protection) in 2:1 CP mode, IIN OCP (Over-Current Protection) in both 2:1 and 1:2 CP mode/UCP (Under-Current Protection) in 2:1 CP mode, V<sub>OUT</sub> OVP/UVP in both 2:1 and 1:2 CP mode, V<sub>BAT</sub> OVP in 2:1 CP mode, IBAT OCP in both 2:1 and 1:2 CP mode, PMID to V<sub>OUT</sub> OV/UV Tracking in both 2:1 and 1:2 CP mode, C<sub>FLY</sub> SCP (Short Circuit Protection), VIN SCP, V<sub>OUT</sub> SCP, QRB RCP (Reverse-Current Protection) and Watchdog Timer. Besides all the protections above, HL7132D also features 10-bit ADC that offers VIN, IIN, V<sub>OUT</sub>, V<sub>BAT</sub>, IBAT, V<sub>T</sub>, TDIE information to system for optimizing charging control.

## Features

- 20V AMR on VIN pin
- 5.5V to 11.7V Operational VIN Voltage
- 5.5V Max Operational Output Voltage
- Dual-Phase Switched Capacitor Architecture
  - Optimized for both 2:1 and 1:2 mode
- 2:1 Charge Pump (CP) Mode
  - Continuous 6A output
- 1:2 Reverse Charge Pump (CP) Mode
  - Continuous 1.5A output
- Regulation loop for charging operation through QRB FET control in 2:1 CP Mode
  - Input current regulation (IIN\_REG)
  - Battery voltage regulation (VVBAT\_REG)
  - Battery current regulation (IBAT\_REG)
  - Thermal regulation (TDIE\_REG)
- 97.37% Efficiency for VOUT=4.5V\_4A with 1x22 $\mu$ F per phase at fSW = 1.1MHz
- Selectable switching frequency from 500kHz to 1.6MHz
- Integrated 10-bit ADC
- Input voltage (VIN)
  - Output voltage (VOUT)
  - Battery voltage (VBAT)
  - Input current in bidirectional readback
  - Battery current (IBAT)

- TS input voltage (VTS)
- Die temperature (TDIE)
- Protections
  - VBAT over voltage protection in 2:1 CP mode
  - All the following protections in 2:1 and 1:2 CP mode
  - Over Die temperature protection
  - VIN Over/Under voltage protection
  - Voltage tracking protection
  - Input over current protection
  - VOUT over voltage protection
  - IBAT over current protection
  - VOUT short circuit protection
  - VIN short circuit protection
  - CFLY short circuit protection
  - NTC protection
- 2.95mm x 2.6mm 42-bump WLCSP

## Applications

- Smartphones
- Tablet PC
- Mobile IoT Devices

### Typical Application Diagram

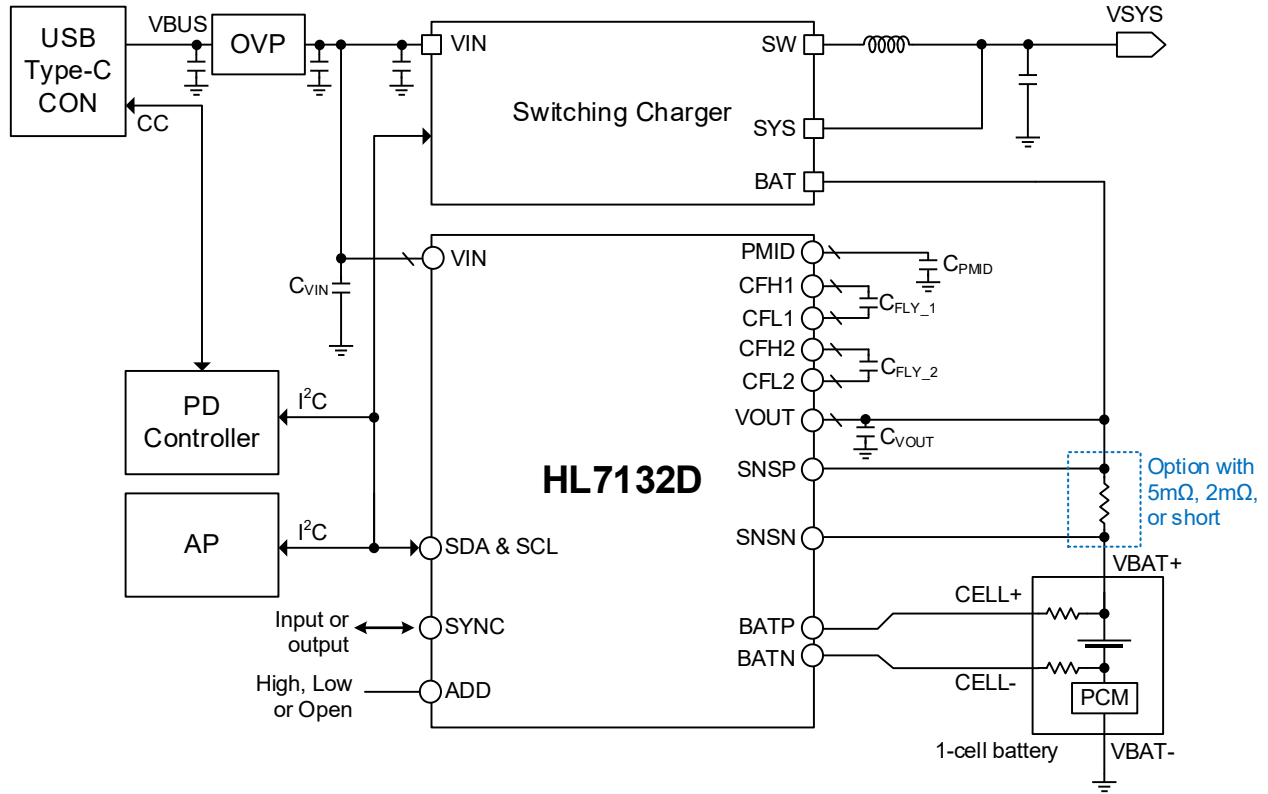


Figure 1. Typical Application Diagram

### Order Information

Part Number	Package	Remark
HL7132DWL01	42-Bump WLCSP 2.95mm x 2.6mm	



## **Important Notice**

HMI reserves the rights to modify, update, improve, and discontinue its products, services, documentations and more without advance notice. We encourage customers to contact HMI's sales representative for the most up to date product information.

HMI's products, solutions, and documents must not be used for any medical or military purposes without a proper legal authorization from HMI. HMI disclaims any responsibilities and liabilities for personal or property damages arising from such applications.

All content, visuals, trademarks within this document, and any other intellectual property embedded in the product and document remains the sole property of HMI. Reproduction, alteration, distribution, or publication of any part or whole of this document is prohibited without legal consent from HMI.